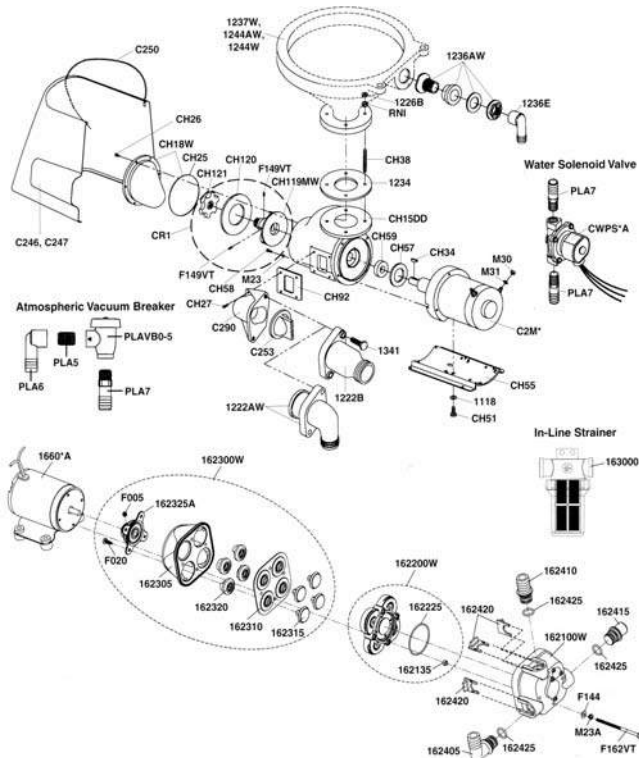


TOILET PARTS



CROWN HEAD II PARTS



PART NO.

DESCRIPTION

162420	Fitting clip (3)
162425	Fitting O-ring (3)
163000	In-line strainer
164000	Heavy-duty pushbutton switch
1660*A	Remote motor
166000	Diaphragm intake pump assembly 12V, includes 162100W, 162200W, 162300W, 1660A
166100	Diaphragm intake pump assembly 24V, includes 162100W, 162200W, 162300W, 1660A
166200	Diaphragm intake pump assembly 32V, includes 162100W, 162200W, 162300W, 1660A
31-102	Motor shaft seal w/ 316 spring
C2M*	Crown Head II motor, 12, 24, 32V DC
C246	Household-style lower cover (bone)
C247	Household-style lower cover (white)
C250	Beaded wire tie
C253	Joker valve
C290	Discharge adapter
CH119MW	Discharge impeller assembly, includes CH119M, F149VT (2)
CH120	Discharge pump wall
CH121	Macerator
CH18W	Front cover w/ O-ring
CH25	Front cover O-ring
CH26	Front cover screw (6)
CH27	Mounting screw (4) 10-32x5/8" S/S
CH34	Woodruff key
CH38	Bowl stud (4)
CH51	Base mounting screw (4)
CH52	Rubber mounting strip (2)
CH55A	Base plate
CH57	Rubber slinger
CH58	Fillister head screw (4) 10-32x3/4" S/S
CH59	Seal
CH92	Square rubber gasket

CR1 Discharge impeller and macerator assembly, includes CH120, CH121, F149VT (2), CH119MW

F005	Set screw
F020	Piston fastener (4)
F144	Mounting bolt washer (4)
F149VT	Set screw (2)
F161	Cap fastener (4)
F162VT	Mounting bolt
LWPLUG	3/8" Plastic plug
M23A	#10 Lockwasher (4)
M30	1/4" - 20 Brass nut (4)
M31	#14 Brass washer (4)
RNI	Nylon shoulder washer
CWPS*A	1/2" GC solenoid valve
CWPSMB	Mounting bracket for CWPS
PLA14	Male adapter 1/2" MNPT x 3/4" barb (2)
PLAVB0-5	Atmospheric vacuum breaker
PLA13	1/2" NPT to 3/4" barbed elbow
TC12W	Sea Era & Crown II deluxe control w/ bezel
FWSC	Fresh water strainer
RTC*	Raritime solid state timer with solenoid
SH	Sanitation hose
SWF100+	Flush control
TWK	Toiler water kit
VL11/2W	Vented loope 1-1/2"

* Specify voltage.
+ Specify color.

Call for pricing and availability.

PART NO.

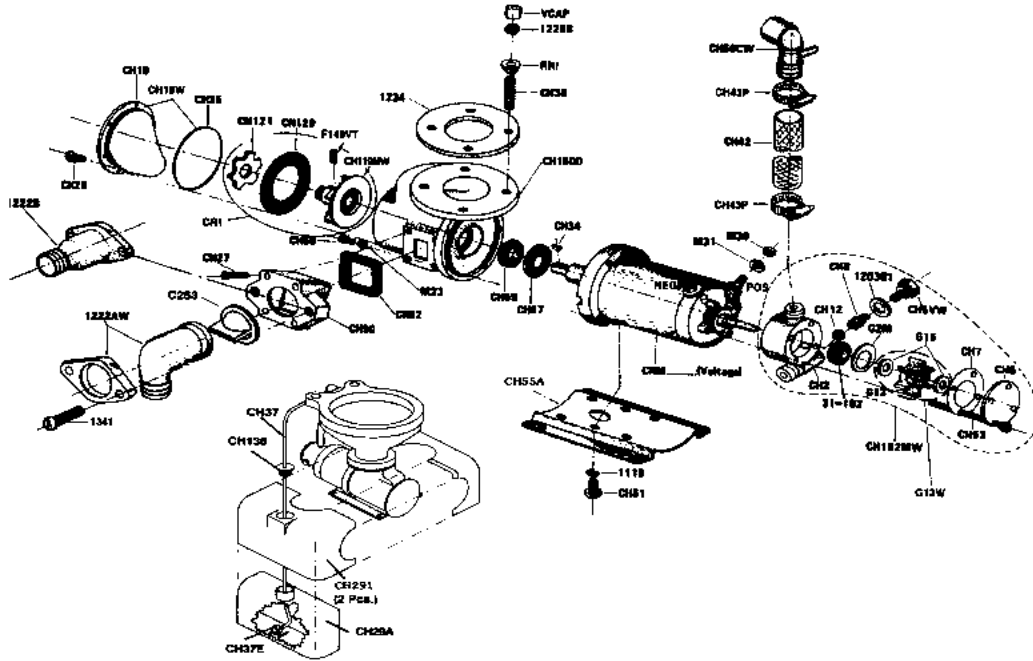
DESCRIPTION

1118	Lockwasher (4)
1222AW	90 degree discharge (opt.)
1222B	Straight discharge
1226B	1/4" - 20 S/S hex nut (4)
1234	Bowl gasket
1236AW	Bowl spud assembly
1236E	Bowl elbow
1237W	Marine size bowl assembly (white)
1238A	Marine size seat and cover (white)
1244AW	Household-style bowl assembly (bone), includes 1236AW
1244W	Household-style bowl assembly (white), includes 1236AW
1245	Household-style seat and cover (white)
1245A	Household-style seat and cover (bone)
1341	Discharge screw (2)
162000W	Intake pump assembly includes 162100W, 162200W, 162300W
162100W	Upper housing assembly
162200W	Middle housing assembly
162300W	Lower housing assembly
162135	Cone seal
162225	O-ring
162305	Lower housing includes 162315
162310	Diaphragm includes 162315
162315	Piston (4)
162320	Piston seat (4) includes 162315
162325A	Bearing plate assembly includes F005, 162315
162405	3/4" Hose barb - 90° fitting
162410	3/4" Hose barb - straight fitting
162415	Plug fitting

TOILET PARTS



CROWN HEAD LOWER UNIT PARTS



PART NO.

DESCRIPTION

1118	Lockwasher (4)
1222AW	90° Discharge w/Flange
1222B	Straight Discharge
1222BW	Straight Discharge Assembly (Incl. 1222B, CH90, CH92, (2) 1115, C254, (4) C27)
C253*	Joker Valve
1226B	Bowl Mounting Nut (4)
RNI	Nylon Bowl Mounting Washer (4)
1115	Discharge Screw (2)
31-102*	Pump Shaft Seal
CH2	Pump Body (w/Shaft Seal)
CH5VW	Pump Plug, Vented
CH6	Pump Cover Plate
CH7*	Pump Gasket
CH8*	Check Valve Spring
CH12	Check Ball
CH18W	Front Cover (w/"O" Ring)
CH25*	Front Cover "O" Ring
CH26	Front Cover Screw (6)
CH27	Mounting Screw (4)
CH291	Shroud (2 pcs)
CH29A	Bottle (Concentrate Reservoir)
CH29AIW	Shroud Assembly, Complete w/Bottle, Cap and Siphon
CH34	Woodruff Key
F149VT	Set Screw (2)
CH37	Siphon Tubing
CH37E*	Siphon Check Valve
CH38	Bowl Stud (4)
CH42	Hose

PART NO.

DESCRIPTION

CH43P	Hose Clamp (2)
CH50CW	Bowl Elbow w/Siphon Inlet
CH51	Base Screw (4)
CH52	Rubber Mounting Strip (2) not shown
CH53	Pump Mounting Screw (4)
CH55A	Base
CH57	Slinger
CH58	End Bell Screw (4)
CH90	Discharge Adapter
CH92	Adapter Gasket
CH102MW	Inlet Pump Assembly, Complete
CH119MW	Discharge Impeller Assy. (Incl. CH119M, (2)F149VT)
CR1	Discharge Impeller and Marcerator Assembly (Incl. CH120, CH121, F149VT (2), and CH119MW)
CH120	Discharge Pump Wall
CH121	Macerator
CH137	Cap for Concentrate Bottle
CH336W	Siphon Assy. Complete
CHM*	Motor-Insert required voltage at (12, 24, or 32)
G2M	Impeller Wear Plate
1203B1	"O" Ring
G15	Impeller Washer (2)
G13W	Pump Impeller w/ (2) G15, (1) CH7, (1) CH7A
M23	Lockwasher (4)
M30	Terminal Nut, Brass (2)
M31	Terminal Washer, Brass (2)
VCAP	Vinyl Cap (bowl nut cover)

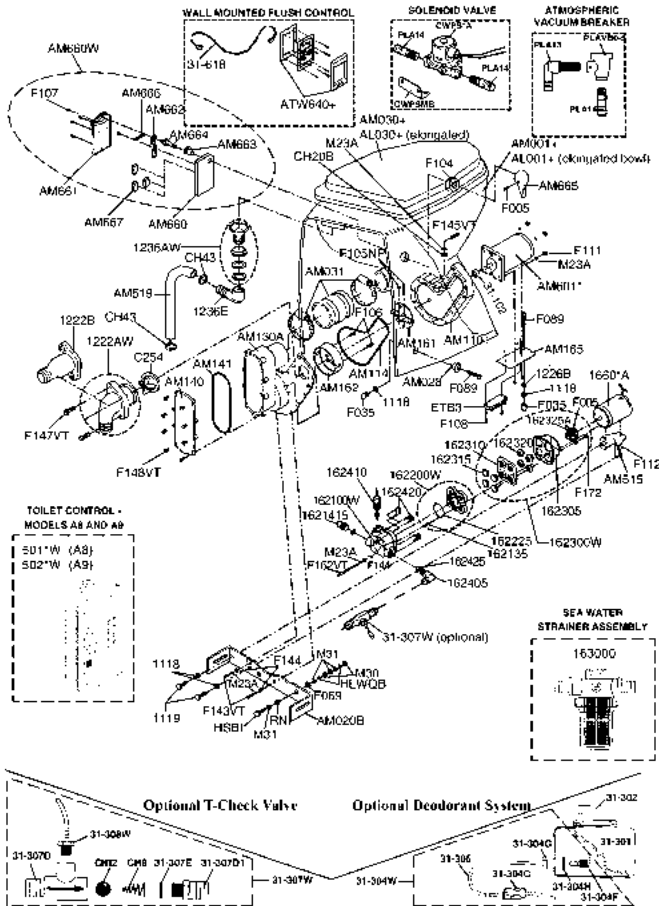
* CSRK REPAIR KIT CONTENTS

Call for pricing and availability.

TOILET PARTS



ATLANTES ELECTRIC TOILET PARTS



PART NO.

DESCRIPTION

162425	O-Ring
1660*A	Pump Motor
31-102	Motor Shaft Seal
41-260	Bowl Elbow (Freshwater unit not shown)
AM002	Atlantes Bowl, White
AL002	Atlantes Elongated Bowl, White
AM020B	Pump Mounting Bracket
AM028	Bushing
1245	Atlantes Seat & Cover, White
AM031	Discharge Connection (3 Pc.)
AM601*	Motor
AM110	Discharge Pump Back
AM114	Discharge Pump O-Ring
AM130A	Discharge Pump Body
AM140	Discharge Cover
AM141	Discharge Cover O-Ring
AM161	Grinder Impeller
AM162	Grinder Teeth
AM165	Terminal Block Bracket
AM515	Atlantes Pump Mounting Bracket
AM519	Intake Hose from Diaphragm Pump
C254	Joker Valve
CH42	3/4" Reinforced Hose (2)
CH43	Hose Clamp, S/S (5)
ETB3	Terminal Block
F005	1/4-20 x 5/16 S/S Hex SOC (2)
F030	1/4-20 x 2" Round Head Screw, S/S
F035	Isolation Nut (3)
F069	1/4" Fiber Washer
F071	Nylon Shoulder Washer (not shown)
F089	1/4-20 x 1-3/4" Round Head Screw, S/S (2)
F104	Panel Nut Brass Hex 5/8-32 x 7/8" x 1/8"
F105NP	1/4-28 Set Screw w/ Nylon Patch (2)
F106	#6 x 3/4" Plastite Screw
F108	#4 x 1" Screw
F111	10-32 Nut, S/S (4)
F112	8-32 x 1/4" Screw (2)
F142VT	10-32 x 5/8" Pan Head Screw, S/S (8) (not shown)
F143VT	10-32 x 1" Pan Head Slotted Screw, S/S (2)
F144	#10 Flat Washer, S/S (2)
F145VT	10-32 x 1-3/4" Pan Head Slotted Screw, S/S
F146VT	1/4-20 x 1-1/4" Round Head Screw, S/S w/VT (2)
F147VT	3/8-16 x 1-1/2" Round Head Screw, S/S (2)
F148VT	8-32 x 7/16" Truss Head Screw, S/S (8)
F162VT	Mounting Bolt
HLWQB	1/4" Split Lock Washer (4)
HSB1	1/4-20 Brass Screw (2)
M23A	#10 Lock Washer, S/S (19)
M30	1/4-20 Brass Nut (4)
M31	1/4" Brass Flat Washer (8)
RNI	Nylon Shoulder Washer
RTAH24DA	Transformer/Rectifier for 120/240 VAC (not shown)
	Wall-Mounted Flush Control
1226A	1/4-20 x 1-1/4" Round Head Screw, S/S
31-618	Cable for Flush Control, 14-Ft.
AM028	Bushing

PART NO.

DESCRIPTION

1118	1/4" Locking Star Washer (4)
1119	1/4-20 x 3/4" Hex Screw (2)
1222AW	90° Discharge w/ Flange
1222B	Straight Discharge
1226B	1/4-20 Nut, S/S (2)
1236AW	Spud Assembly
1236E	Bowl Elbow
162100W	Upper Housing Assembly
162135	Cone Seal (4)
162200W	Middle Housing Assembly
162225	O-Ring
162300W	Lower Housing Assembly
162305	Lower Housing
162310	Diaphragm
162315	Piston (4)
162320	Piston Seat (4)
162325A	Bearing Plate Assembly
162405	3/4" Hose Barb, 90° Fitting
162410	3/4" Hose Barb, Straight
162415	Plug Fitting
162420	Fitting Clip (3)

TOILET PARTS

PART NO.	DESCRIPTION	Notes
ATW*	Flush Control PCB Assembly	
ATW640	Flush Control w/ Bezel Backplate, White	
ATW640A	Flush Control w/ Bezel Backplate, Bone	
ATW640B	Flush Control w/ Bezel Backplate, Black	
F153	#4 x 1/2" Oval Slotted Screw	
F170	6/32 x 7/8" Screw	
	Solenoid Valve	
CWPS*B	1/2" GC Solenoid Valve	
CWPSMB	Mounting Bracket for CWPS	
PLA14	1/2" MPT to 3/4" Barbed Nipple (2)	
	Atmospheric (Anti-Siphon) Vacuum Breaker	
PLA13	1/2" NPT to 3/4" Hose Elbow	
PLA14	1/2" NPT to 3/4" Barbed Nipple	
PLAVB0-5	Atmospheric (Anti-Siphon) Vacuum Breaker	
	Optional T-Check Valve	
31-307D	Valve Body	
31-307D1	Outlet Adapter	
31-307E	O-Ring	
31-307W	T-Check Valve Assembly, Complete	
31-308W	Siphon Check Valve	
CH8	Check Valve Spring	
CH12	Check Ball	
	Optional Deodorant/Salt Feed	
31-301	Salt Feed Tank	
31-302	Salt Feed Tank Cap	
31-304C	Plastic Tubing Clamp	
31-304F	Bulkhead Fitting	
31-304G	Bulkhead Fitting Nut	
31-304H	Bulkhead Fitting Seal	
31-304W	Assembly (incl. 31-304C, -304F, -304G, -304H & -305)	
31-305	1/4" Clear PVC Tubing	
	Additional Accessories	
1PCP22	CP "Cleans Potties", Bioenzymatic, 22 oz.	
AHDA1W	Internal Vented Loop	
CON22	Raritan Concentrate, 22 oz.	
SH	Sanitation Hose (sold per foot)	
VL 1 1/2	Vented Loop, 1-1/2"	
VL 3/4	Vented Loop, 3/4"	
YV	Y-Valve	

* Specify voltage.

+ Choice of color.

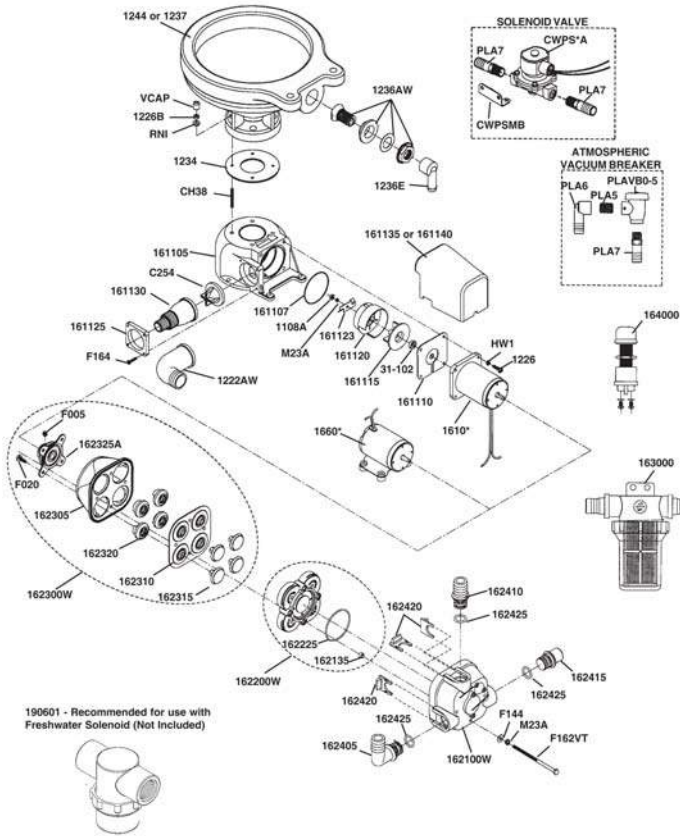
Call for pricing and availability.



TOILET PARTS



SEA ERA TOILET PARTS



PART NO.

DESCRIPTION

1108A	Macerator Nut
1222AW	90° Discharge Fitting
1226	Mounting Screw (4)
1226B	1/4-20 Hex Nut (4)
1234	Bowl Gasket
1236AW	Bowl Spud Assembly
1236E	Bowl Elbow
1237W	Marine-size Bowl
1244W	Household-style Bowl
1610*	Motor
161105	Base
161107	Seal Plate O-Ring
161110	Seal Plate
161115	Impeller
161120	Impeller/Macerator Housing
161123	Macerator Blade
161125	Discharge Mounting Flange
161130	Discharge Fitting
162135	Cone Seal
162225	O-Ring
162305	Lower Housing includes #162315
162310	Diaphragm includes #162315

PART NO.

DESCRIPTION

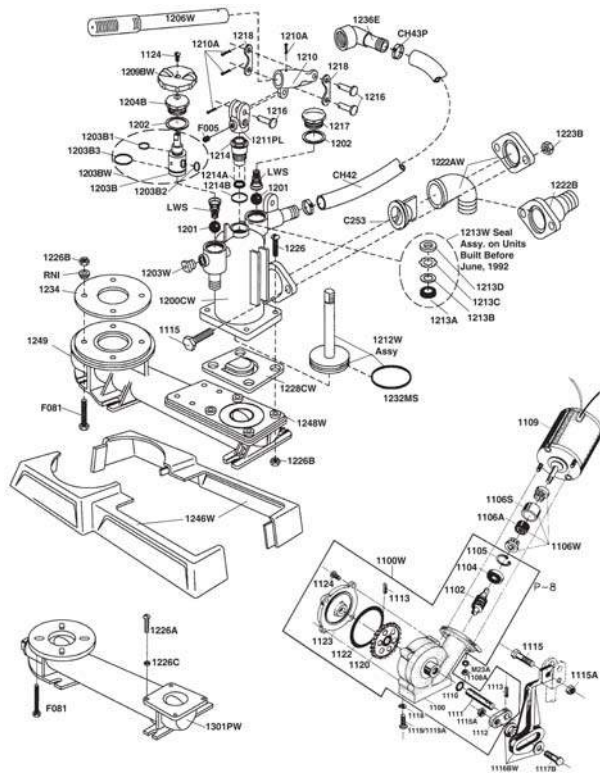
162315	Piston (4)
162320	Bearing Seat (4) includes #162315
162325A	Bearing Plate Assembly includes #162315
162405	3/4" Hose Barb-90° Fitting
162410	3/4" Hose Barb-Straight Fitting (2)
162415	Plug Fitting
162420	Fitting Clip (3)
162100W	Upper Housing Assembly
162200W	Middle Housing Assembly
162300W	Lower Housing Assembly
163000	Inline Strainer
164000	Push Button Switch
31-102	Shaft Seal
41-260	Bowl Elbow (Freshwater Models Only)
C254	Joker Valve
CH38	1/4-20 Threaded Stud (4)
F005	Set Screw
F020	Piston Fastener (4)
F144	Mounting Bolt Washer (4)
F162VT	Mounting bolt
F164	Discharge Mounting Flange Fastener (4)
HW1	Mounting Screw Lockwasher (4)
M23A	Macerator Lockwasher (5)
Additional Parts Included with INTEGRAL MODELS	
161140	Motor Cover Integral
Additional Parts Included with REMOTE MODELS	
161135	Motor Cover
1660*	Intake Motor
166000	Remote Intake Pump, 12V DC
166100	Remote Intake Pump, 24V DC
166200	Remote Intake Pump, 32 V DC
Additional Parts Included with FRESHWATER MODELS	
161135	Motor Cover
PLAVB0-5	Atmospheric Vacuum Breaker
PLA13	Elbow 1/2" NPT x 3/4" hose
PLA14	Adapter 1/2" MNPT x 3/4" hose
CWPSA	1/2" GC Solenoid Valve
CWPSMB	Water Solenoid Valve Mounting Bracket
Repair Kits	
DIAPUMPRK	Diaphragm Pump Repair Kit
SEADISRK	SeaEra Discharge Repair Kit

Call for pricing and availability.

TOILET PARTS



PARTS FOR PHII & PHEII



PART NO.	DESCRIPTION	PART NO.	DESCRIPTION
1200CW	Pump Housing	1222AW	90° Discharge
1201*	Inlet Valve Ball	1222B	Straight Discharge
1202*	Inlet Valve Cap Gasket	C253*	Joker Valve
1204B	Inlet Valve Cap	F098	Housing Bolt and Nuts (4)
1206W	Handle	1249	Drain Plug
1209BW	Valve Handle	1228CW*	Flapper Valve Assembly
1124	Valve Handle Screw	1232MS*	Piston "O" Ring
1210	Handle Socket	1234*	Bowl Gasket
1210A	Cotter Pin (4)	1248W	Base
1211PL	Piston Rod Yoke	1236E	Bowl Elbow
1212W	Piston Rod Assembly	RNI	Bowl Bolt Washer (4)
1213W	Piston Rod Seal Assembly (1213A, B, C & D)	F081	Bowl Bolt (4)
1213A*	"U" Cup	1226B	Bowl Bolt Nut (4)
1213B*	Delrin Washer	CH43P	Hose Clamp (2)
1213C*	Snap Ring	CH42	Hose
1213D*	White Washer (neoprene)		
1216	Clevis Pin (3)		
1217	Outlet Valve Cap		
1203BW	Valve stem w/ o-rings		
1214W	Cartridge seal assembly		
1214A	Piston shaft seal		
1214B	O-ring		
LWS	Low water spring		
1218	Fulcrum Link (2)		

* PHRKII & PHRK REPAIR KIT CONTENTS

Call for pricing and availability.