

WATER STRAINERS

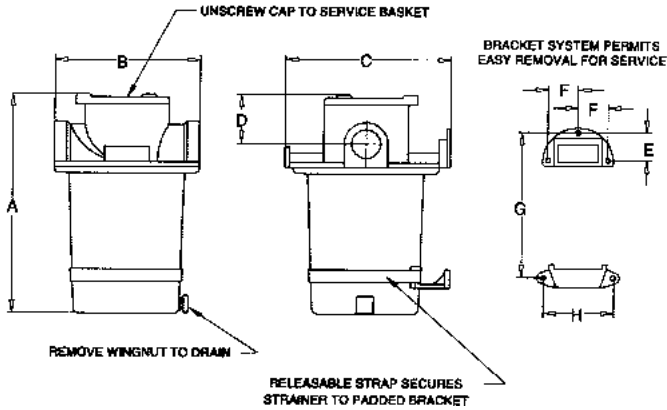


ARG SERIES



GROCO standard single strainers. No tie rods. No leaks under pressure or vacuum. A quick and easy mounting system which allows for removal of the strainer without tools. Stainless steel filter basket. Available with bronze castings. Buna-N O-Ring seals at strainer cap and between strainer head and sight glass. A screw on strainer cap allows easy, no tools maintenance.

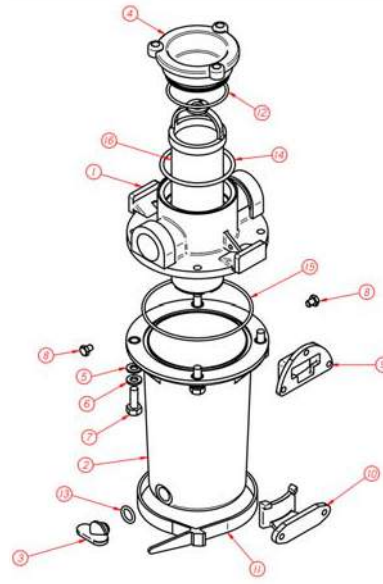
Dimensions & Specifications



MODEL#	PIPE SIZE	DIMENSIONS						
		A	B	C	D	E	F	G
ARG-500-P	1/2"	6.38	4.50	5.25	1.50	1.00	1.07	3.50
ARG-750-P	3/4"	8.38	4.50	5.25	1.50	1.00	1.07	5.50
ARG-1000-P	1"	9.00	5.75	6.50	2.00	1.13	1.19	5.88
ARG-1250-P	1-1/4"	10.63	5.75	6.50	2.25	1.13	1.19	7.88
ARG-1500-P	1-1/2"	11.38	7.25	7.75	2.50	-	1.00	6.50
ARG-2000S	2"	14.00	7.25	7.75	2.75	-	1.00	8.00
ARG-2500S	2-1/2"	17.00	7.25	7.75	2.75	-	1.00	10.00
ARG-3000S	3"	19.75	7.25	7.75	3.63	-	1.00	12.00

**Serving the
Marine Industry
Since 1927**

PARTS & ASSEMBLY



Parts List	
NO.	DESCRIPTION
1	Head Casting
2	Sight Glass
3	Drain Plug W/O-RING
	Drain Plug W/O-RING before 080101
4	Cap, Plastic
	Cap, Bronze, before 010901
	Cap, Bronze, after 010901
5	Washer
6	Washer
7	Hex Bolt
8	Hex Bolt
9	Bracket, Upper
10	Bracket, Lower
11	Strap
12	O-Ring
13	O-Ring
	O-Ring before 080101
14	O-Ring
15	O-Ring
16	Basket, Polyethylene
	Basket, #304 SS
	Basket, Monel

* Service kit.

ORDER#

PIPE SIZE ARG STRAINERS

ARG500-P	1/2"
ARG750-P	3/4"
ARG1000-P	1"
ARG1250-P	1 1/4"
ARG1500-P	1 1/2"
ARG2000S	2"
ARG2500S	2 1/2"
ARG3000S	3"

REPAIR PARTS

ARG1	Kit for ARG500 & ARG750
ARG2	Kit for ARG1000 & ARG1250
ARG3	Kit for 1500, 2000, 2500 & 3000
ARG753	Cylinder ARG750 3.50" x 6"
ARG1003	Cylinder ARG1000 4.50" x 5.75"
ARG-1501-PC	Fits ARG1500, ARG2015, ARG2000, ARG2500, ARG2515, ARG2520, ARG3000, ARG3015, ARG3020 and ARG3025
ARG-1503	Fits ARG1500
ARG-1253	Fits ARG1250
BS-1	S/S Basket ARG500 1.81" x 4"
BS-2	S/S Basket ARG750 1.81" x 6"
BS-3	S/S Basket ARG1000 2.44" x 5.94"
BS-5	S/S Basket ARG1250 2.44" x 7.75"
BS-6	S/S Basket ARG1500 3" x 7.88"
BS-8	304 SS Filter for 2" Strainer ARG-2000S
BS-15	Filter Basket 304 SS
ARG506	Drain wingnut ARG500

ARG Series Raw Water Strainers

Installation and Maintenance

Installation: Install ARG series strainers vertically oriented above the outside waterline if possible.

For sizes 500, 750, 1000 and 1250, fasten the bronze upper bracket to a stringer or bulkhead. Hang the strainer in the bracket and then mark the location for the lower bracket (with the open side facing up). Locate the lower bracket so the strap engages the sight glass about 1" above the drain wingnut. Remove the strainer from the upper bracket, fasten the lower bracket to the bulkhead, and hang the strainer once again in the upper bracket. The sight glass should now rest squarely against the lower bracket. Run the strap around the sight glass and lower bracket and pull it tight. The strap is releasable and reusable.

For sizes 1500, 2000, 2500 and 3000, fasten the strainer head loosely to a bulkhead or stringer. Slide the lower bracket (open side facing up) between the bulkhead and the sight glass until it fits snugly without play. Mark the location of the lower bracket; it should be 1" - 2" above the drain wingnut. Remove the strainer, and securely fasten the lower bracket. Fasten the strainer loosely once again by its upper bracket and verify that the sight glass rest squarely against the lower bracket. Run the strap around the sight glass and lower bracket and pull it tight. Tighten the upper mount bolts. The strap is releasable and reusable.

Bonding: GROCO strainers are provided with two (2) bonding fasteners on the head casting, located between the mount bracket and the body. Use either of these fasteners to connect the strainer to the vessel bonding system using 14-gauge (or larger) stranded copper wire and a ring terminal. The bonding connection may also be made at any of the bolts that secure the sight glass to the head casting.

Warning: Motorized equipment is to have a separate connection to the vessel AC grounding bus in accordance with ABYC, E-11, Figure-18. DO NOT make the strainer bonding connection in series with motorized equipment. It is permissible to make the bonding connection in series with non-motorized equipment such as seacocks or thru-hull fittings.

Non-metallic Filter Baskets: GROCO® offers ARG-P series strainers with non-metallic filter. The corrosion-proof non-metallic baskets are an advantage in continuous running or high usage installations such as air conditioning, generators, or refrigeration systems where the continuous flow of sea water shortens filter basket life.



ARG-P SERIES with Non-Metallic Filter Basket

Non-metallic baskets are interchangeable with metallic baskets. Monel filter baskets are available on special order. Refer to the replacement parts section for more information.

Maintenance: Inspect and clean the filter basket frequently. A seasonal application of water-proof grease that is Silicon or Teflon® based (do not use Petroleum based grease) to the cap threads and o-ring will assure easy cap loosening for inspections and cleaning.

Use only mild soapy water to clean the sight glass.

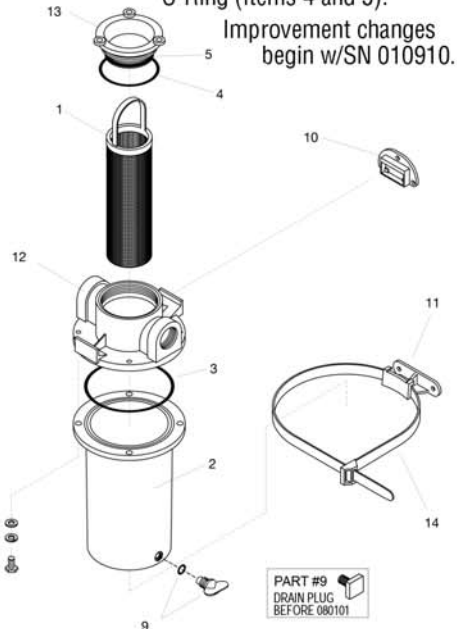
Hand-tight is sufficient for a safe and leak-proof seal following cap removal and replacement, but if you wish to "snug" the cap use GROCO® SW-2531 Spanner Wrench.

Multiple Consumers from a single strainer: Connecting multiple consumers of filtered water to a single strainer is not recommended, but we realize that some installers will do this to reduce cost and save space. To prevent dangerous flow restrictions to one or more of the connected consumers use a GROCO® RWM series Raw Water Manifold.

Self-Cleaning Strainers: If the frequency of filter basket cleanings becomes difficult because of debris-laden water or water filled with sea grass or jelly fish, consider a GROCO® Hydromatic self-cleaning strainer.

SVC NOTES: Plastic Strainer Cap fits all Older Models.

A design improvement necessitates changes to the cap (Item-13) and Cap O-Ring (Items 4 and 5).



Drawing Item	Name	Qty	ARG-500	ARG-750	ARG-1000	ARG-1250	ARG-1500	ARG-2000	ARG-2500	ARG-3000	Service Kit
1	Head Casting	1	ARG-510-H	ARG-760-H	ARG-1010-H	ARG-1260-H	ARG-1510-H	ARG-2010-H	ARG-2510-H	ARG-3010-H	ARG-500
2	Sight Glass	1	ARG-503	ARG-753	ARG-1003	ARG-1253	ARG-1503	ARG-2003	ARG-2503	ARG-3003	ARG-750
3	Drain Plug W/O-RING	1	ARG-756	ARG-506	ARG-756	ARG-506	ARG-756	ARG-506	ARG-756	ARG-506	ARG-750
4	Drain Plug W/O-RING before 080101	1	ARG-506	ARG-506	ARG-506	ARG-506	ARG-506	ARG-506	ARG-506	ARG-506	ARG-750
5	Cap, Plastic	1	ARG-501-PC	ARG-501-PC	ARG-1001-PC	ARG-1001-PC	ARG-1501-PC	ARG-1501-PC	ARG-1501-PC	ARG-1501-PC	ARG-500
6	Cap, Bronze, before 010901	1	ARG-501-B	ARG-501-B	ARG-1001-B	ARG-1001-B	ARG-1501-B	ARG-1501-B	ARG-1501-B	ARG-1501-B	ARG-750
7	Cap, Bronze, after 010901	1	ARG-501-C	ARG-501-C	ARG-1001-C	ARG-1001-C	ARG-1501-C	ARG-1501-C	ARG-1501-C	ARG-1501-C	ARG-750
8	Washer	4	14SS	14SS	14SS	14SS	14SS	14SS	14SS	14SS	ARG-750
9	Hex Bolt	6	1420X34HS	1420X34HS	1420X34HS	1420X34HS	1420X34HS	1420X34HS	1420X34HS	1420X34HS	ARG-750
10	Hex Bolt	2	1024X14HB	1024X14HB	1024X14HB	1024X14HB	1024X14HB	1024X14HB	1024X14HB	1024X14HB	ARG-750
11	Bracket, Upper	1	ARG-504	ARG-504	ARG-1004	ARG-1004	ARG-1504	ARG-1504	ARG-1504	ARG-1504	ARG-750
12	Bracket, Lower	1	ARG-504	ARG-504	ARG-1004	ARG-1004	ARG-1504	ARG-1504	ARG-1504	ARG-1504	ARG-750
13	Strap	1	2-228	2-228	2-232	2-232	2-238	2-238	2-238	2-238	ARG-750
14	O-Ring	1	2-111	2-111	2-111	2-111	2-111	2-111	2-111	2-111	ARG-750
15	O-Ring before 080101	1	2-011	2-011	2-011	2-011	2-011	2-011	2-011	2-011	ARG-750
16	O-Ring	1	2-135	2-135	2-229	2-229	2-234	2-234	2-234	2-234	ARG-750
	Basket, Polyethylene	1	BP-1	BP-2	BP-3	BP-4	BP-5	BP-9	BP-10	BP-12	ARG-750
	Basket, #204 SS	1	BS-1	BS-2	BS-3	BS-4	BS-5	BS-8	BS-9	BS-10	ARG-750
	Basket, Monel	1	BM-1	BM-2	BM-3	BM-4	BM-5	BM-7	BM-8	BM-9	ARG-750
	Service Kit		ARG-1	ARG-1	ARG-2	ARG-2	ARG-3	ARG-3	ARG-3	ARG-3	ARG-750

© 1998 GROCO MECHANICAL LABORATORIES, INC. ALL RIGHTS RESERVED.

SA and ASA Series Strainers

Installation, Operation, and Maintenance

General Installation: Locate the strainer in a vertical orientation between the inlet seacock and the engine raw water pump in a location that will allow routine maintenance. Leave at least 12" above the top of the strainer for removal of the filter basket for cleaning.

Proper support is essential; install SA strainers with bolts through all three (3) bolt holes provided - two (2) on the strainer head and one (1) on the strainer base. Use the mount pads on both sides of the strainer if possible.

Bonding: The strainer must be connected to the vessel bonding system. This is most easily done with 14-gauge (or larger) stranded copper wire and a ring connector beneath one of the tie rods that hold the strainer together.

Warning: Motorized equipment is to have a separate connection to the vessel AC grounding bus in accordance with ABYC, E-11, Figure-18. DO NOT make the strainer bonding connection in series with motorized equipment. It is permissible to make the bonding connection in series with non-motorized equipment such as seacocks or thru-hull fittings.

Maintenance: Unscrew the center wingnut, and remove and clean the filter basket at least weekly. Inspect the cover gasket and plastic wingnut washer at this time. Replace the cover and screw down the center wingnut securely.

Important Maintenance Note: The sole purpose of the outside tie rods is to hold the strainer assembly together while the wingnut has been removed from the center tie rod for filter basket cleaning. If the sight glass gaskets are in serviceable condition they will seal by tightening the center tie rod only. Do not overtighten the outside tie rods in an attempt to seal leaking sight glass gaskets, as this may bend the strainer base casting - install a service kit.

Plumbing: As with any plumbing system, the components will function with greater efficiency when restrictions are kept to a minimum. When planning the plumbing for SA Series Strainers assure that 90-degree bends are utilized only when necessary and that hoses and fittings have as large an ID as possible. Use GROCO Full Flow fittings if you can.

Double clamp all hose connections and use TFE thread tape on threaded connections.

SA SERIES

GROCO single strainers SA series feature 304 stainless steel basket, monel center tie rods, naval bronze outside tie rods and strainer heads threaded internally for NPT pipe connections.

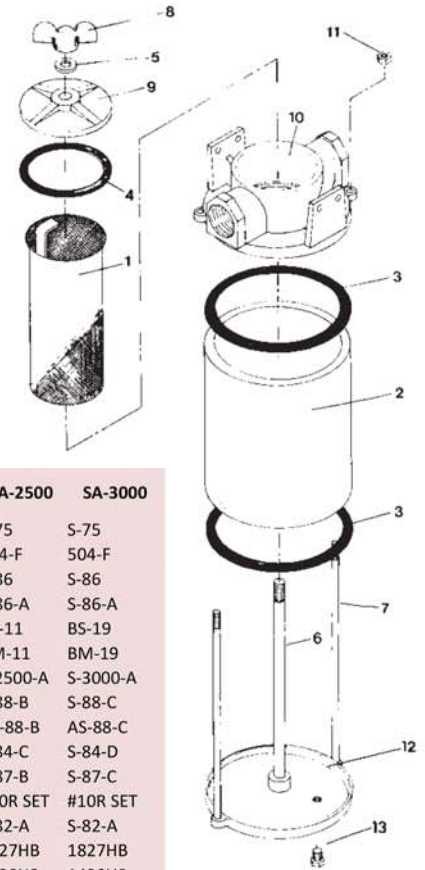


ASA Series has a #316 Stainless Steel Enclosure



SA Series has a Lucite Sight Glass

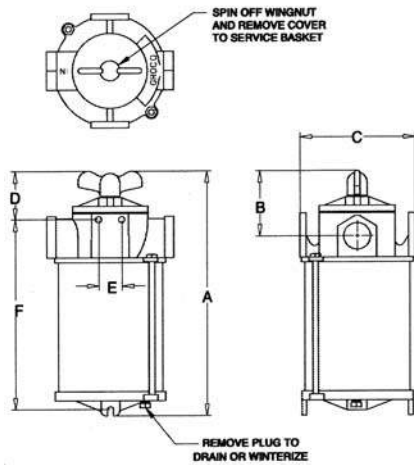
Parts and Assembly



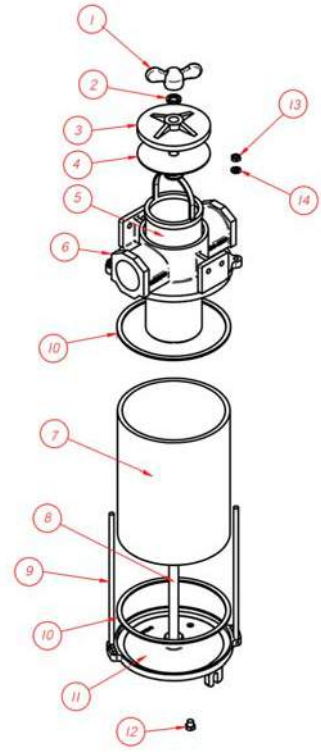
Drawing Item	Name	Service Kit	Qty	SA-500	SA-750	SA-1000	SA-1250	SA-1500	SA-2000	SA-2500	SA-3000
1	Wingnut		1	SVS-5	SVS-5	SVS-5	SVS-5	S-75	S-75	S-75	S-75
2	Washer	*	1	500-K	500-K	500-K	500-K	504-F	504-F	504-F	504-F
3	Casting, Cover		1	S-64	S-64	S-751	S-751	S-86	S-86	S-86	S-86
4	Gasket	*	1	S-64-A	S-64-A	S-751-A	S-751-A	S-86-A	S-86-A	S-86-A	S-86-A
5	Basket, #304 SS		1	BS-1	BS-2	BS-4	BS-5	BS-6	BS-8	BS-11	BS-19
	Basket, Monel		1	BM-1	BM-2	BM-4	BM-5	BM-6	BM-8	BM-11	BM-19
6	Casting, Head		1	S-500-A	S-750-A	S-1000-A	S-1250-A	S-1500-A	S-2000-A	S-2500-A	S-3000-A
7	Sight Glass, Plastic Enclosure, #316 SS		1	S-70	S-70-A	S-77	S-77-A	S-88	S-88-A	S-88-B	S-88-C
			1	AS-70	AS-70-A	AS-77	AS-77-A	AS-88	AS-88-A	AS-88-B	AS-88-C
8	Tie Rod, Monel		1	S-65	S-65-A	S-72	S-72-A	S-84	S-84-A	S-84-C	S-84-D
	Tie Rod, SS		2	S-66	S-73-X	S-73-X	S-73-B	S-73-B	S-87-A	S-87-B	S-87-C
10	Gasket	*	1	#9R SET	#9R SET	#8R SET	#8R SET	#10R SET	#10R SET	#10R SET	#10R SET
11	Casting, End Cap		1	S-63-A	S-63-A	S-73-A	S-73-A	S-82-A	S-82-A	S-82-A	S-82-A
12	Drain Plug		1	1827HB	1827HB	1827HB	1827HB	1827HB	1827HB	1827HB	1827HB
13	Hex Nut		2	1420HS	1420HS	1420HS	1420HS	1420HS	1420HS	1420HS	1420HS
14	Washer		2	14SS	14SS	14SS	14SS	14SS	14SS	14SS	14SS
*	Service Kit			SA-1	SA-1	SA-2	SA-2	SA-3	SA-3	SA-3	SA-3

WATER STRAINERS

Dimensions & Specifications



MODEL#	PIPE SIZE	A	B	DIMENSIONS			
				C	D	E	F
SA-500S	1/2"	7.75	2.25	4.00	1.75	.75	6.00
SA-750S	3/4"	9.63	2.25	4.00	1.75	.75	7.88
SA-1000S	1"	10.50	2.75	5.00	1.88	1.00	8.62
SA-1250S	1-1/4"	12.75	2.75	5.00	1.88	1.00	10.88
SA-1500S	2"	13.75	3.25	6.25	2.63	1.00	11.12
SA-2000S	2"	16.50	3.50	6.25	2.75	1.38	13.75
SA-2500S	2-1/2"	18.75	3.75	6.25	3.38	1.38	15.38



PARTS LIST

ITEM NO.	DESCRIPTION
1	Wing Nut
2	Washer
3	Casting, Cover
4	Gasket
5	Basket, #304 SS
6	Basket, Monel
6	Casting, Head
7	Sight Glass, Plastic
8	Enclosure, #316 SS
8	Tie Rod, Monel
9	Tie Rod, SS
10	Gasket
11	Casting, End Cap
12	Drain Plug
13	Hex Nut
14	Washer

ORDER#

PIPE SIZE SA - STRAINERS

SA1000S
SA1250S
SA2500S

1"
1 1/4"
2 1/2"

SA - REPAIR PARTS

SA1 Kit for SA500 & SA750
 SA2KIT Kit for SA1000 & SA1250
 SA3 Kit for SA1500 Thru SA3000
 S77 Cylinder SA1000 4.50" x 6" Clear
 S77A Cylinder SA1250 4.50" x 8" Clear
 BS-2 Basket SA750 1.81" x 6"
 BS-4 Basket SA1000 2.44" x 5.88"
 BS-5 Basket SA1250 2.44" x 7.88"
 BS-6 Basket SA1500 3" x 7.88"
 BS-8 Basket SA2000 3" x 9.75"
 BM-5 Monel Filter Basket for SA1250, 2.4" D x 7.9" L
 BM-11 Monel Basket SA2500 3" x 11.88"
 2-232 O-Ring Gasket SVS Series
 SVS-5 Wingnut SVS Series
 BS-11 Basket SA2500 3" x 11.88"
 S86A Gasket SA1500/3000
 SD Includes (2) 2-367 O-rings, (1) 2-251 O-ring, and (1) SD-11 washer
 SS-85-L Fits VD-2500
 VD-2 For VD-1500S & VD-2000S
 VD-3 For VD-2500S

PAXTON
company